

फोन/Ph: +91-33-24014132-36

फैक्स/Fax: +91-33-24010553

वेबसाइट/Website: <http://igmkolkata.spmcil.com>

ई-मेल/E-mail: calmint@spmcil.com



भारत सरकार टकसाल
INDIAGOVERNMENTMINT

(भारत प्रतिभूति मुद्रण तथा मुद्रा निर्माण निगम लिमिटेड की एक इकाई)
(A Unit of Security Printing and Minting Corporation of India Limited)
(मिनिरल, श्रेणी-I सीपीएसई / A Mini Ratna, Category-I CPSE)



आईएसओ 9001:2008 एवं 14001:2004 प्रमाणित कंपनी / An ISO 9001:2008 & ISO 14001:2004 Certified Company

भारत सरकार के पूर्ण स्वामित्वाधीन / Wholly Owned by Government of India

अलीपुर / Alipore, कोलकाता / Kolkata - 700 053

Corporate Identity Number (CIN): U22213DL2006GOI144763

No. 54/T-111(24-25)/GEM/2024/B/5379963/Addendum-I

Date: 20.09.2024

To,

The Bidders

Reference Tender Document No. 54/T-111(24-25)/GEM/2024/B/5379963 Dated: 13.09.2024

Subject: Procurement of Graphite Crucible for 45 KW Vacuum Gold Bar Machine

Addendum-I

Sir/Madam,

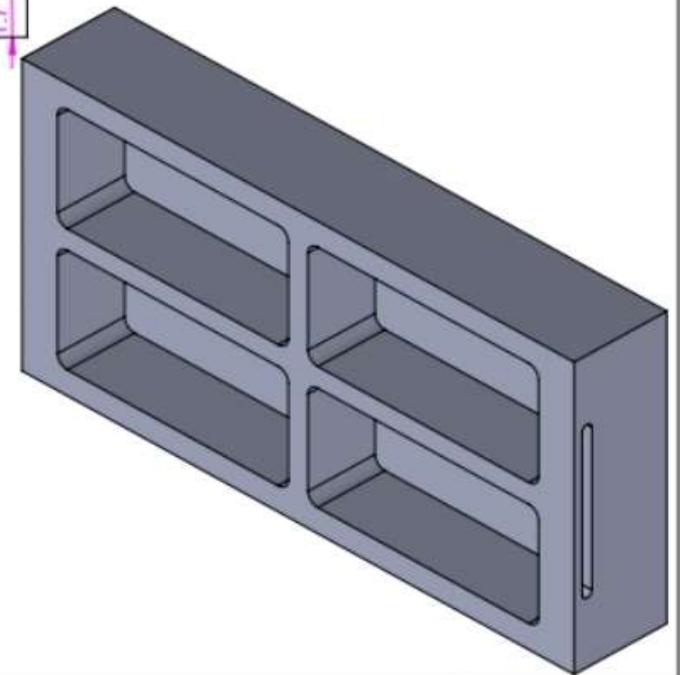
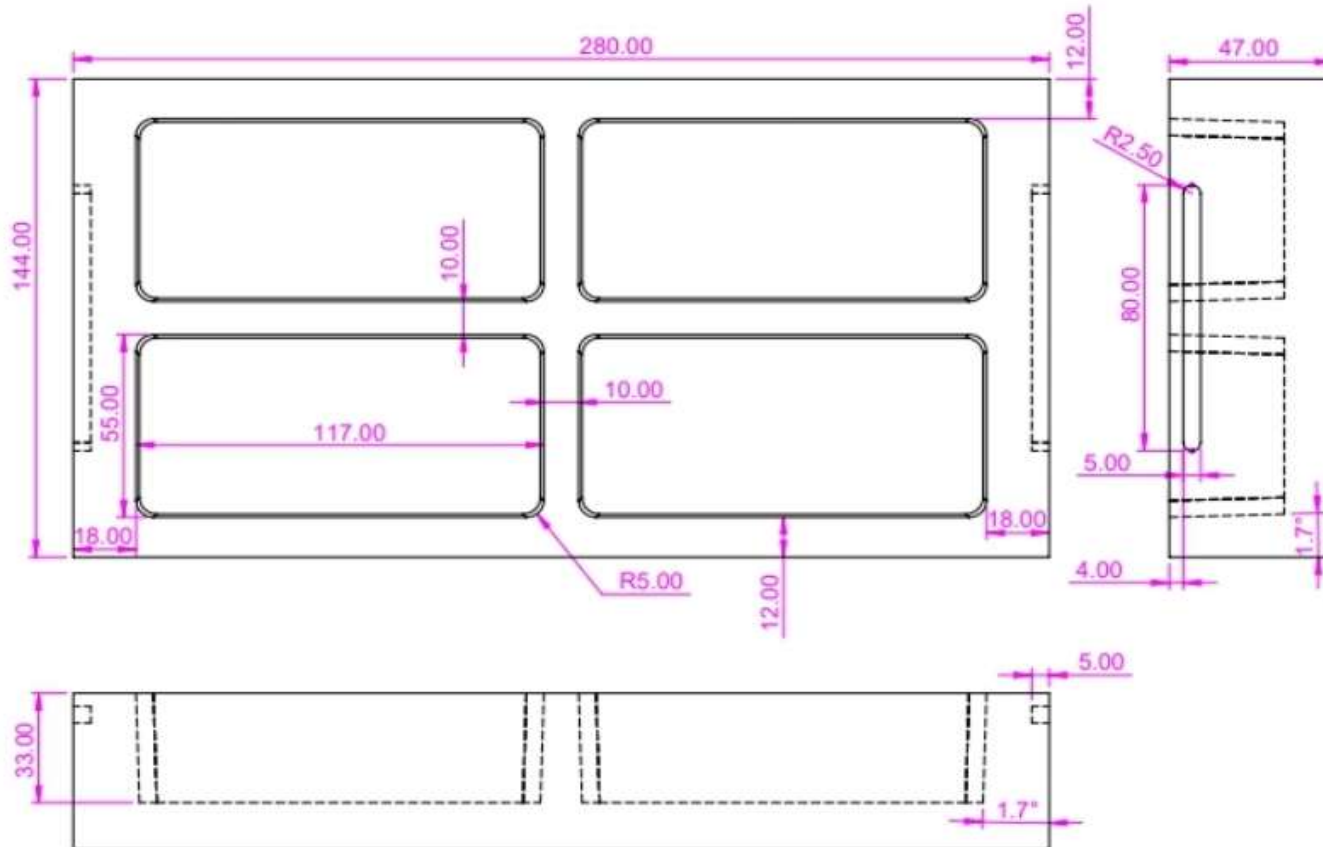
With reference to above, the Drawing as per 'Annexure-A' (attached below) is added to this bid document.

All other terms & conditions of the subjected tender will remain unchanged.

This is issued with the approval of Competent Authority.

Yours faithfully,

Jt. GM (TO) & MATERIALS HEAD
For General Manager & HoD

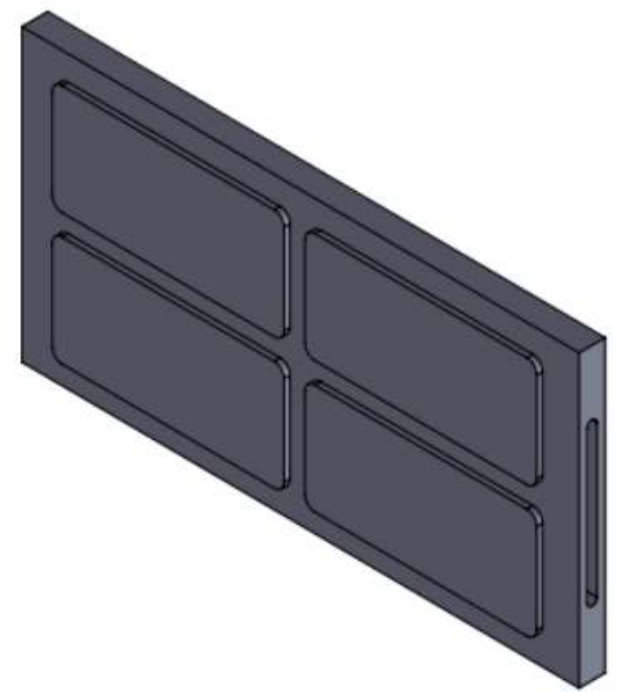
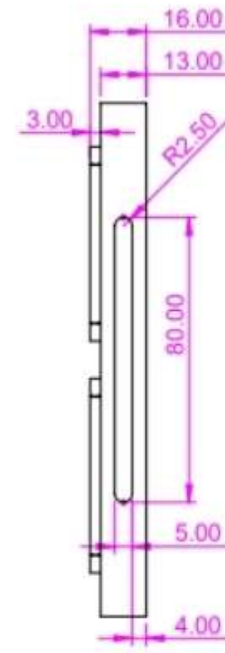
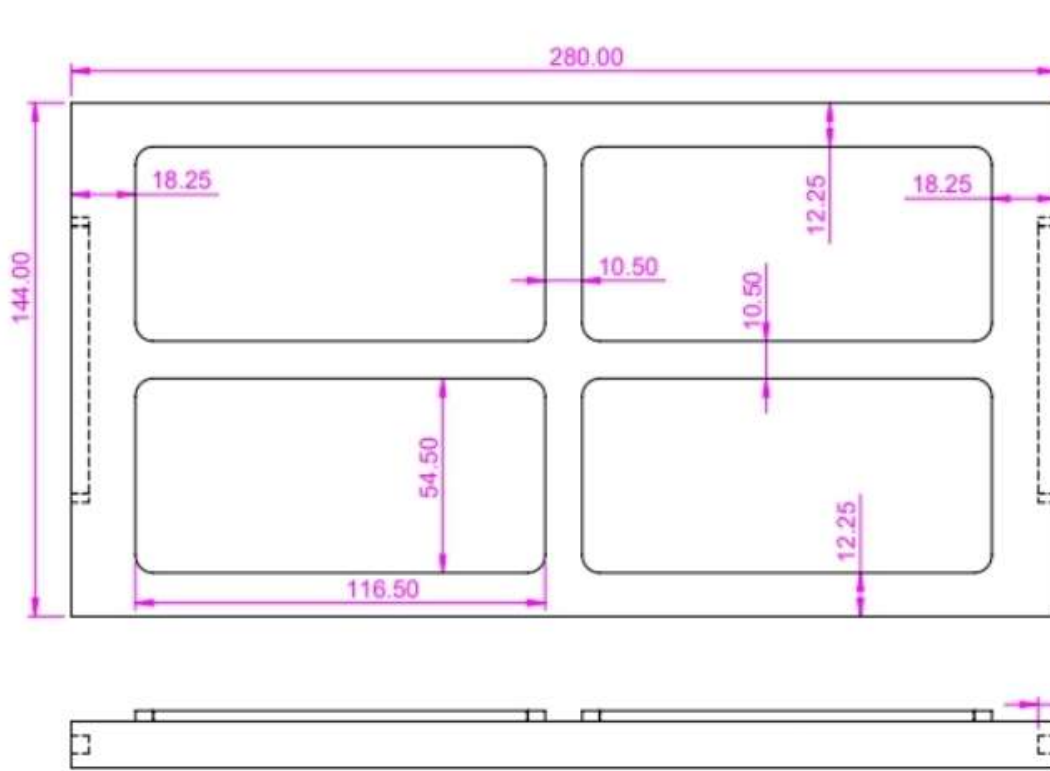


SI-16 BOTTOM PLATE

SI-16-1 KG X 4 CAKE DIE BEHRIN

NOTE
 1. ALL DIMENSIONS ARE IN MM.
 2. DO NOT SCALE DRAWING.





SI-16 TOP PLATE

SI-16-1 KG X 4 CAKE DIE BEHRIN

NOTE
 1. ALL DIMENSIONS ARE IN MM.
 2. DO NOT SCALE DRAWING.

