



Bid Number/बोली क्रमांक (बिड संख्या):
GEM/2025/B/5864999
Dated/दिनांक : 28-01-2025

Bid Document/ बिड दस्तावेज़

Bid Details/बिड विवरण	
Bid End Date/Time/बिड बंद होने की तारीख/समय	10-02-2025 15:00:00
Bid Opening Date/Time/बिड खुलने की तारीख/समय	10-02-2025 15:30:00
Bid Offer Validity (From End Date)/बिड पेशकश वैधता (बंद होने की तारीख से)	90 (Days)
Ministry/State Name/मंत्रालय/राज्य का नाम	Ministry Of Finance
Department Name/विभाग का नाम	Department Of Economic Affairs
Organisation Name/संगठन का नाम	Security Printing And Minting Corporation Of India Limited (spmci)
Office Name/कार्यालय का नाम	Janpath
क्रेता ईमेल/Buyer Email	buyer1.spmcils.wb@gembuyer.in
Total Quantity/कुल मात्रा	280
Item Category/मद केटेगरी	Cylindrical Woollen Felt Bob, L-75mm & D-32mm , Cylindrical Woollen Felt Bob, L- 50mm & D- 30mm , Cylindrical Woollen Felt Bob with Stainless Steel Rod, L- 35mm & D- 8 to 20mm
GeMARPTS में खोजी गई स्ट्रिंग / Searched Strings used in GeMARPTS	Cylindrical Woollen Felt Bob with Stainless Steel Rod, L- 35mm & D- 8 to 20mm
GeMARPTS में खोजा गया परिणाम / Searched Result generated in GeMARPTS	Category not available on GeM for the text string uploaded by the buyer
अधिसूचना के लिए चयनित प्रासंगिक श्रेणियाँ / Relevant Categories selected for notification	<ul style="list-style-type: none">• Pendulum bob
MSE Exemption for Years Of Experience/अनुभव के वर्षों से एमएसई छूट/ and Turnover/टर्नओवर के लिए एमएसई को छूट प्राप्त है	Yes
Startup Exemption for Years Of Experience/अनुभव के वर्षों से स्टार्टअप छूट/ and Turnover/ टर्नओवर के लिए स्टार्टअप को छूट प्राप्त है	Yes

Bid Details/बिड विवरण

Document required from seller/विक्रेता से मांगे गए दस्तावेज़	Certificate (Requested in ATC),Additional Doc 1 (Requested in ATC),Additional Doc 2 (Requested in ATC),Additional Doc 3 (Requested in ATC),Additional Doc 4 (Requested in ATC) *In case any bidder is seeking exemption from Experience / Turnover Criteria, the supporting documents to prove his eligibility for exemption must be uploaded for evaluation by the buyer
Do you want to show documents uploaded by bidders to all bidders participated in bid?/	No
Bid to RA enabled/बिड से रिवर्स नीलामी सक्रिय किया	No
Type of Bid/बिड का प्रकार	Single Packet Bid
Primary product category	Cylindrical Woollen Felt Bob, L-75mm & D-32mm
Time allowed for Technical Clarifications during technical evaluation/तकनीकी मूल्यांकन के दौरान तकनीकी स्पष्टीकरण हेतु अनुमत समय	7 Days
Inspection Required (By Empanelled Inspection Authority / Agencies pre-registered with GeM)	No
Evaluation Method/मूल्यांकन पद्धति	Total value wise evaluation
Financial Document Required/वित्तीय दस्तावेज़ की आवश्यकता है।	Yes
Arbitration Clause	No
Mediation Clause	No

EMD Detail/ईएमडी विवरण

Required/आवश्यकता	No
-------------------	----

ePBG Detail/ईपीबीजी विवरण

Required/आवश्यकता	No
-------------------	----

MII Purchase Preference/एमआईआई खरीद वरीयता

MII Purchase Preference/एमआईआई खरीद वरीयता	No
--	----

MSE Purchase Preference/एमएसई खरीद वरीयता

MSE Purchase Preference/एमएसई खरीद वरीयता	Yes
---	-----

1. If the bidder is a Micro or Small Enterprise as per latest definitions under MSME rules, the bidder shall be exempted from the requirement of "Bidder Turnover" criteria and "Experience Criteria" subject to meeting of quality and technical specifications. If the bidder is OEM of the offered products, it would be exempted from the "OEM Average Turnover" criteria also subject to meeting of quality and technical specifications. In case any bidder is seeking exemption from Turnover / Experience Criteria, the supporting documents to prove his eligibility for exemption must be uploaded for evaluation by the buyer.
2. If the bidder is a Startup, the bidder shall be exempted from the requirement of "Bidder Turnover" criteria and "Experience Criteria" subject to their meeting of quality and technical specifications. If the bidder is OEM of the offered products, it would be exempted from the "OEM Average Turnover" criteria also subject to meeting of quality and technical specifications. In case any bidder is seeking exemption from Turnover / Experience Criteria, the supporting documents to prove his eligibility for exemption must be uploaded for evaluation by the buyer.
3. Purchase preference will be given to MSEs having valid Udyam Registration and whose credentials are validated online through Udyam Registration portal as defined in Public Procurement Policy for Micro and Small Enterprises (MSEs) Order, 2012 dated 23.03.2012 issued by Ministry of Micro, Small and Medium Enterprises and its subsequent Orders/Notifications issued by concerned Ministry. If the bidder wants to avail themselves of the Purchase preference, the bidder must be the manufacturer / OEM of the offered product on GeM. Traders are excluded from the purview of Public Procurement Policy for Micro and Small Enterprises and hence resellers offering products manufactured by some other OEM are not eligible for any purchase preference. In respect of bid for Services, the bidder must be the Service provider of the offered Service. Relevant documentary evidence in this regard shall be uploaded along with the bid in respect of the offered product or service and Buyer will decide eligibility for purchase preference based on documentary evidence submitted, while evaluating the bid. If L-1 is not an MSE and MSE Seller (s) has / have quoted price within L-1+ 15% (Selected by Buyer) of margin of purchase preference /price band defined in relevant policy, such MSE Seller shall be given opportunity to match L-1 price and contract will be awarded for 25% (selected by Buyer) percentage of total quantity. The buyers are advised to refer the OM No. F.1/4/2021-PPD dated 18.05.2023 [OM No.1 4 2021 PPD dated 18.05.2023](#) for compliance of Concurrent application of Public Procurement Policy for Micro and Small Enterprises Order, 2012 and Public Procurement (Preference to Make in India) Order, 2017. Benefits of MSE will be allowed only if seller is validated on-line in GeM profile as well as validated and approved by Buyer after evaluation of documents submitted.
4. Estimated Bid Value indicated above is being declared solely for the purpose of guidance on EMD amount and for determining the Eligibility Criteria related to Turn Over, Past Performance and Project / Past Experience etc. This has no relevance or bearing on the price to be quoted by the bidders and is also not going to have any impact on bid participation. Also this is not going to be used as a criteria in determining reasonableness of quoted prices which would be determined by the buyer based on its own assessment of reasonableness and based on competitive prices received in Bid / RA process.

Cylindrical Woollen Felt Bob, L-75mm & D-32mm (50 set)

Technical Specifications/तकनीकी विशिष्टियाँ

Buyer Specification Document/क्रेता विशिष्टि दस्तावेज़	Download
--	--------------------------

Consignees/Reporting Officer/परेषिती/रिपोर्टिंग अधिकारी and/ तथा Quantity/मात्रा

S.No./क्र. सं.	Consignee Reporting/Officer/ परेषिती/रिपोर्टिंग अधिकारी	Address/पता	Quantity/मात्रा	Delivery Days/डिलीवरी के दिन

S.No./क्र. सं.	Consignee Reporting/Officer/ परेषिती/रिपोर्टिंग अधिकारी	Address/पता	Quantity/मात्रा	Delivery Days/डिलीवरी के दिन
1	Mr.Sugata Bandyopadhyay	700053,India Govt Mint, Alipore Kolkata , West Bengal	50	28

Cylindrical Woollen Felt Bob, L- 50mm & D- 30mm (200 set)

Technical Specifications/तकनीकी विशिष्टियाँ

Buyer Specification Document/क्रेता विशिष्टि दस्तावेज़	Download
--	--------------------------

Consignees/Reporting Officer/परेषिती/रिपोर्टिंग अधिकारी and/ तथा Quantity/मात्रा

S.No./क्र. सं.	Consignee Reporting/Officer/ परेषिती/रिपोर्टिंग अधिकारी	Address/पता	Quantity/मात्रा	Delivery Days/डिलीवरी के दिन
1	Mr.Sugata Bandyopadhyay	700053,India Govt Mint, Alipore Kolkata , West Bengal	200	28

Cylindrical Woollen Felt Bob With Stainless Steel Rod, L- 35mm & D- 8 To 20mm (30 set)

Technical Specifications/तकनीकी विशिष्टियाँ

Buyer Specification Document/क्रेता विशिष्टि दस्तावेज़	Download
--	--------------------------

Consignees/Reporting Officer/परेषिती/रिपोर्टिंग अधिकारी and/ तथा Quantity/मात्रा

S.No./क्र. सं.	Consignee Reporting/Officer/ परेषिती/रिपोर्टिंग अधिकारी	Address/पता	Quantity/मात्रा	Delivery Days/डिलीवरी के दिन
----------------	---	-------------	-----------------	------------------------------

S.No./क्र. सं.	Consignee Reporting/Officer/ परेषिती/रिपोर्टिंग अधिकारी	Address/पता	Quantity/मात्रा	Delivery Days/डिलीवरी के दिन
1	Mr.Sugata Bandyopadhyay	700053,India Govt Mint, Alipore Kolkata , West Bengal	30	28

Buyer Added Bid Specific Terms and Conditions/क्रेता द्वारा जोड़ी गई बिड की विशेष शर्तें

1. Generic

OPTION CLAUSE: The Purchaser reserves the right to increase or decrease the quantity to be ordered up to 25 % of bid quantity at the time of placement of contract. The purchaser also reserves the right to increase the ordered quantity up to 25% of the contracted quantity during the currency of the contract at the contracted rates. The delivery period of quantity shall commence from the last date of original delivery order and in cases where option clause is exercised during the extended delivery period the additional time shall commence from the last date of extended delivery period. The additional delivery time shall be $(\text{Increased quantity} \div \text{Original quantity}) \times \text{Original delivery period (in days)}$, subject to minimum of 30 days. If the original delivery period is less than 30 days, the additional time equals the original delivery period. The Purchaser may extend this calculated delivery duration up to the original delivery period while exercising the option clause. Bidders must comply with these terms.

2. Certificates

Bidder's offer is liable to be rejected if they don't upload any of the certificates / documents sought in the Bid document, ATC and Corrigendum if any.

3. Buyer Added Bid Specific ATC

Buyer Added text based ATC clauses

1. Terms and Conditions:

Guidelines of SPMCIL Procurement Manual Version 3.0 will be applicable to this bid at any stage to avoid any conflict at later stage. Kindly refer GIT and GCC of SPMCIL Procurement Manual Version 3.0 for additional terms and conditions as per the links given below:

General Instruction to Tenderer (GIT): <https://igmkolkata.spmcil.com/wp-content/uploads/2024/05/GIT.pdf>

General Conditions of Contract (GCC): <https://igmkolkata.spmcil.com/wp-content/uploads/2024/05/GCC.pdf>

3. Delivery Period:

a) To be delivered within TWENTY EIGHT (28) DAYS from the date of issue of Contract.

b) The vendor is responsible for delivering the material and duly unloading the same at the General Store of India Government Mint, Kolkata after taking necessary security clearance from CISF at the main gate of India Government Mint, Kolkata by showing the driving licence, vehicle registration etc. and necessary documents like invoice, delivery challan, copy of Purchase Order, e-way bill, bank details in company letter head duly sealed & signed etc. are to be handed over to Store-in-charge.

4. Terms and Mode of payments:

100% on receipt and acceptance of goods at destination by the user section of India Government Mint, Kolkata and on production of all required documents by the supplier. (Acceptance means goods supplied in proper condition at India Govt. Mint, Kolkata as well as meeting other terms and conditions of Purchase order

.)

5. Replacement:

If the items delivered are rejected for any reasons, the firm has to lift & replace the same at their cost and risk.

6. Transportation of Domestic Goods:

To be borne by the supplier duly unloaded at the General store of India Govt. Mint, Kolkata as mentioned under delivery period.

7. Packing:

Materials should be suitably packed. The packing should be weather proof and should be made water proof to prevent damage during transit. The supplier will also be responsible for unloading and stacking at India Government Mint, Kolkata Store as per instruction of competent authority.

8. Insurance:

The supplier shall make arrangements for insuring the goods and services against loss or damage, incidental to manufacture or acquisition, transportation, storage and delivery. The Supplier shall be responsible till the entire goods contracted for arrive in good condition at destination. The transit risk in this respect shall be covered by the supplier by getting the goods duly insured. The insurance cover shall be obtained by the supplier in its own name not in the name of India Government Mint, Kolkata or its consignee. For details please refer to clause 12 of General Conditions of Contract (GCC).

9. Quantum of LD:

If the supplier fails to deliver any or all of the goods or fails to perform the services within the time frame(s) incorporated in the contract, India Govt. Mint, Kolkata shall, without prejudice to other rights and remedies available to India Govt. Mint, Kolkata under the contract, deduct from the contract price, as liquidated damages, a sum equivalent to the 0.5% of the delivered price of the delayed goods and/ or services for each week of delay or part thereof until actual delivery or performance, subject to a maximum deduction of the 10% of the delayed goods' or services' contract price(s).

10. The total cost inclusive of all as cited above on FOR India Govt. Mint, Kolkata (W.B) basis should be indicated clearly both in words and figures in the price bid.

11. Documentary evidence to be submitted towards PAN & GST Registration Certificate.

12. Participating Bidder must submit sealed and signed copy of entire GeM bid document including the Buyer Specification Document. Also, the participating bidder must submit duly filled, sealed & signed **Annexure II** in their letter head & documents as per **Annexure-III** attached under Buyer Added ATC.

13. All the supporting documents submitted along with this bid should be signed and sealed by the authorized signatory of the firm mandatorily. The bid document shall not contain any erasure or overwriting, except as necessary to correct any error made by the tenderer and, if there is any such correction; the same shall be initialled by the person(s) signing the tender.

14. The supplier has to provide GeM invoice during submission of bill for payment.

15. Price Schedule:

While quoting the price through GeM portal, **the detailed price breakup along with GST percentage must be mentioned and attached as pdf in the document attachment option of price bid mandatorily.** Do not upload financial documents related to financial standings like audited balance sheets in the document attachment field of price bid, attach only the detailed price breakup of the quotation as mentioned above. Detailed price breakup of the quotation must be in the format as attached in the end of this bid document.

Price to be mentioned only in price bid not in Techno commercial bid or any other place. If it is mentioned any other part other than price bid, the offer will be rejected.

16. MSME & Make in India Status:

In case any bidder is submitting their bid as MSME and/or MII, the firm must be registered as a MSME & MII in GeM portal and Self-declaration along with documentary evidence in this regard must be submitted decl

aring that their MSME & MII status is updated in GeM portal also. In further evaluation stage if it is found th at the firm is not registered as MSME and/or MII in GeM, but MSME certificate and/or MII declaration is sub mitted along with the bid, no exemption will be given and their offer may be rejected.

17. Price Preference for MSE:

MSE quoting price within price band L1 + 15% may be awarded 25% of the total tendered value provided t hey agree to match the L1 price. In case of more than one such eligible MSE, 25% quantity is to be distribu ted proportionately among these bidders. Within this, a purchase preference of 4% is reserved for MSEs o wned by SC/ ST entrepreneurs' and 3% is reserved for procurement from MSEs owned by women (if they p articipate in the tender process and match the L1 price, considering spirit of policy for enhancing the Govt. procurement from MSE.

18. Eligible Goods and Services (Origin of Goods & Services):

(i) All goods and services to be supplied and provided for the contract shall have the origin in India or in th e countries with which the Government of India has trade relations.

(ii) The word "origin" incorporated in this clause means the place from where the goods are mines, cultivat ed, grown, manufactured, produced or processed or from where the service are arranged.

19. Special Condition: Supplier should file the returns pertaining to TCS (Section 206C (1H) for TCS colle cted, in the time and provide the TCS certificate to IGMK. In case of any Credit loss to IGMK by way of their failure to files Returns and provide TCS certificate in time, India Government Mint, Kolkata reserves the rig ht to recover the amount equivalent to TCS paid along with applicable interest from the payment of further supplies.

20. GST Return:

Supplier should file the GST return for outward supplies in time. In case of any loss to India Government Mi nt, Kolkata by way of their failure to files GST Returns in time India Government Mint, Kolkata reserves the right to withhold the payment of further supplies till production of evidence. Any liability which will occurre d on account of non - compliance of e-way bill, GST provision or any other applicable law will be borne by s upplier.

21. Consignee:

General Manager & HoD, India Government Mint, Alipore, Kolkata, West Bengal, Pin – 700053.

On the consignment please mention the following details:

Order No:	Packing No:	Net Weight:	Gross Weight:
------------------	--------------------	--------------------	----------------------

22. Resolution of Disputes:

If dispute or difference of any kind shall arise between India Government Mint, Kolkata and the supplier in connection with or relating the contract, the parties shall make every effort to resolve the same amicably b y mutual consultations. If the parties fail to resolve their dispute or difference by such mutual consultation within 21 days of its occurrence, then, depending on the position of the case, either the purchaser or the s upplier shall give notice to the other party of its intention to commence arbitration. When the contract is w ith domestic supplier, the applicable arbitration procedure will be as per Indian Arbitration and Conciliation Act, 1996 as amended by Arbitration and Conciliation (Amendment) Act, 2015 and 2021. Mode of settleme nt of such contractual disputes/ differences shall be through Arbitration, to the India International Arbitrati on Centre.

23. Risk Purchase Clause:

(a) If the supplier after submission of tender and due acceptance of the same, i.e., after notification of award of contract fails to abide by the terms and conditions of these tender documents, or fails to suppl y the deliverables as per delivery schedule given or at any time repudiates the contract, the purchaser sha ll have the right to:

(i) Invoke the Security-cum-Performance Guarantee if deposited by the supplier and procure stores from ot her agencies at the risk and consequence of the supplier. The cost difference between the alternative arra ngement and supplier tendered value will be recovered from the supplier.

(b) Supplier has to abide by all the terms and conditions of tender.

(c) In case of procurement through alternative sources and if procurement price is lower, no benefit on this account will be passed on to the supplier.

24. Quality Control Requirements:

Quality of Goods: Free from all technical defects, in compliance with our Technical Specification

i) Goods/service supplied not in conformity with tender specification will be treated as goods/service not supplied at all and supplier shall take supplied material not conforming to order specification back within 15 days. Goods/service shall be delivered by the supplier in accordance with the terms and conditions specified in the contract failing which expenses of keeping goods at purchaser's premises may be levied on supplier.

ii) Delivery date will be calculated from the date goods/services are received in acceptable quality in accordance with technical specification.

25. Anti-Bribery Management System (ABMS):

By participating in this tender, the suppliers/Vendors/ Contractors are deemed to have undertaken that they shall not give or take, any financial or non-financial bribe, to or from anyone during the tender or during the execution of the contract thereafter and if they notice any such incident happening, they shall report it to Vigilance.”

26. Disclaimer:

The issue of this Bid Document does not imply that the Purchaser is bound to select Bidder(s) and the Purchaser reserves the right to reject all or any of the Bidders or Bids or to decide to drop the procurement process at any stage without assigning any reason.

27. The bidder has to submit documents as per following Check list as given below along with the Technical bid documents without fail:

1	Entire Tender Document Duly Seal & Signed on every page including Technical Specification (Annex. I) as an acceptance of all terms & conditions of the tender
2	Documentary evidence towards PAN & GST Registration Certificate
3	Sealed & Signed Declaration (Annexure - II attached in technical specification)
4	Documentary/undertaking against Make in India Status i.e. being a Class I/ Class II supplier with details of percentage

***FOR ANY OTHER QUERIES, FIRMS MAY CONTACT IN THE BELOW DETAILS:**

Ph. No. 033 - 2401 4132,33,34,35, (Extension 336/ 319/ 326);

Email: purchase.igmk@spmci.com

4. Buyer Added Bid Specific ATC

Buyer uploaded ATC document [Click here to view the file.](#)

Disclaimer/अस्वीकरण

The additional terms and conditions have been incorporated by the Buyer after approval of the Competent

Authority in Buyer Organization, whereby Buyer organization is solely responsible for the impact of these clauses on the bidding process, its outcome, and consequences thereof including any eccentricity / restriction arising in the bidding process due to these ATCs and due to modification of technical specifications and / or terms and conditions governing the bid. If any clause(s) is / are incorporated by the Buyer regarding following, the bid and resultant contracts shall be treated as null and void and such bids may be cancelled by GeM at any stage of bidding process without any notice:-

1. Definition of Class I and Class II suppliers in the bid not in line with the extant Order / Office Memorandum issued by DPIIT in this regard.
2. Seeking EMD submission from bidder(s), including via Additional Terms & Conditions, in contravention to exemption provided to such sellers under GeM GTC.
3. Publishing Custom / BOQ bids for items for which regular GeM categories are available without any Category item bunched with it.
4. Creating BoQ bid for single item.
5. Mentioning specific Brand or Make or Model or Manufacturer or Dealer name.
6. Mandating submission of documents in physical form as a pre-requisite to qualify bidders.
7. Floating / creation of work contracts as Custom Bids in Services.
8. Seeking sample with bid or approval of samples during bid evaluation process. (However, in bids for [attached categories](#), trials are allowed as per approved procurement policy of the buyer nodal Ministries)
9. Mandating foreign / international certifications even in case of existence of Indian Standards without specifying equivalent Indian Certification / standards.
10. Seeking experience from specific organization / department / institute only or from foreign / export experience.
11. Creating bid for items from irrelevant categories.
12. Incorporating any clause against the MSME policy and Preference to Make in India Policy.
13. Reference of conditions published on any external site or reference to external documents/clauses.
14. Asking for any Tender fee / Bid Participation fee / Auction fee in case of Bids / Forward Auction, as the case may be.

Further, if any seller has any objection/grievance against these additional clauses or otherwise on any aspect of this bid, they can raise their representation against the same by using the Representation window provided in the bid details field in Seller dashboard after logging in as a seller within 4 days of bid publication on GeM. Buyer is duty bound to reply to all such representations and would not be allowed to open bids if he fails to reply to such representations.

All GeM Sellers / Service Providers are mandated to ensure compliance with all the applicable laws / acts / rules including but not limited to all Labour Laws such as The Minimum Wages Act, 1948, The Payment of Wages Act, 1936, The Payment of Bonus Act, 1965, The Equal Remuneration Act, 1976, The Payment of Gratuity Act, 1972 etc. Any non-compliance will be treated as breach of contract and Buyer may take suitable actions as per GeM Contract.

[This Bid is also governed by the General Terms and Conditions/ यह बिड सामान्य शर्तों के अंतर्गत भी शासित है](#)

In terms of GeM GTC clause 26 regarding Restrictions on procurement from a bidder of a country which shares a land border with India, any bidder from a country which shares a land border with India will be eligible to bid in this tender only if the bidder is registered with the Competent Authority. While participating in bid, Bidder has to undertake compliance of this and any false declaration and non-compliance of this would be a ground for immediate termination of the contract and further legal action

in accordance with the laws./जेम की सामान्य शर्तों के खंड 26 के संदर्भ में भारत के साथ भूमि सीमा साझा करने वाले देश के बिडर से खरीद पर प्रतिबंध के संबंध में भारत के साथ भूमि सीमा साझा करने वाले देश का कोई भी बिडर इस निविदा में बिड देने के लिए तभी पात्र होगा जब वह बिड देने वाला सक्षम प्राधिकारी के पास पंजीकृत हो। बिड में भाग लेते समय बिडर को इसका अनुपालन करना होगा और कोई भी गलत घोषणा किए जाने व इसका अनुपालन न करने पर अनुबंध को तत्काल समाप्त करने और कानून के अनुसार आगे की कानूनी कार्यवाही का आधार होगा।

---Thank You/धन्यवाद---

TECHNICAL SPECIFICATIONS

Schedule 1: Cylindrical Woollen Felt Bob, L-75mm & D-32mm

Description:

Size: 75mm(L) X 32mm(D) to be used for polishing of S1 grade hardened steel dies in high-speed machines.

Schedule 2: Cylindrical Woollen Felt Bob, L- 50mm & D- 30mm

Description:

Size: 50mm(L) X 30mm(D) to be used for polishing of S1 grade hardened steel dies in high-speed machines.

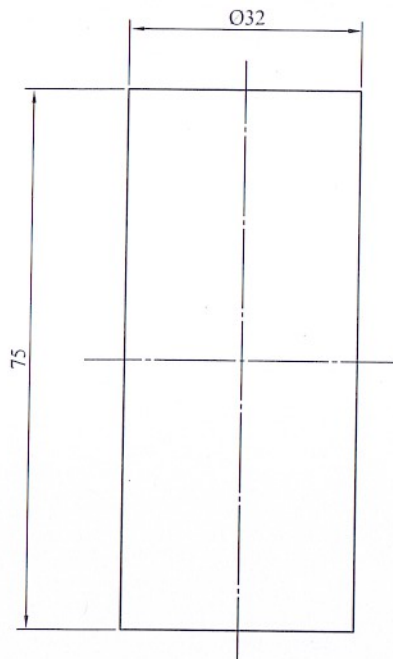
Schedule 3: Cylindrical Woollen Felt Bob with Stainless Steel Rod, L- 35mm & D- 8 to 20mm

Description:

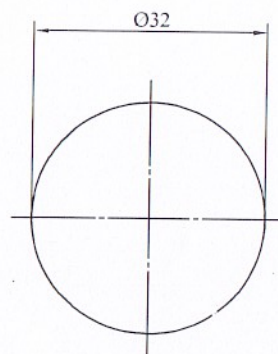
Size: 35mm(L) X 8-20mm(D) to be used for polishing of S1 grade hardened steel dies in high-speed machines.

***DRAWING ATTACHED NEXT PAGE

CYLINDRICAL WOOLEN
FELT BOB
SIZE: 75 MM X 32 MM DIA.

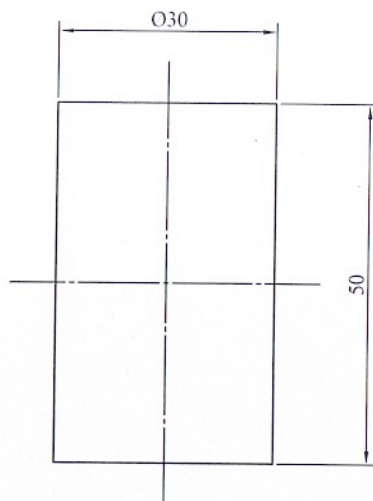


ELEVATION

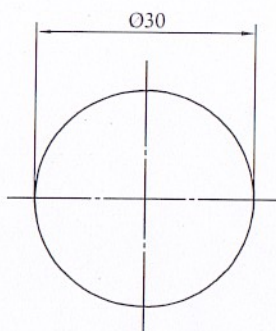


PLAN

CYLINDRICAL WOOLEN
FELT BOB
SIZE: 50 MM X 30 MM DIA.

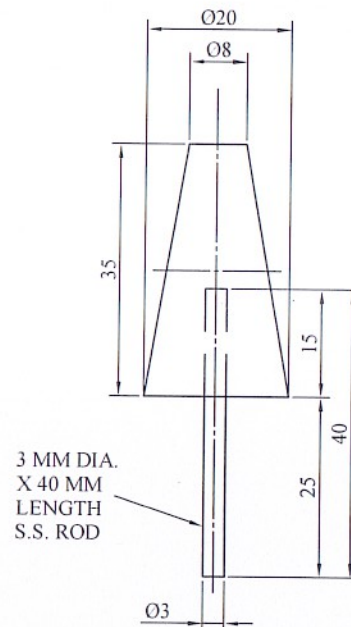


ELEVATION

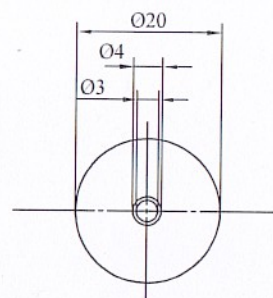


PLAN

CONICAL WOOLEN
FELT BOB WITH S.S ROD
BOB SIZE: 35 MM (L) X 8 MM DIA. TO 20 MM DIA.
AND S.S. ROD 40 MM LENGTH X 3 MM DIA.



ELEVATION



PLAN

WOOLEN FELT BOB

ALL DIMENSIONS ARE IN MM

NOT TO SCALE

Sugata R. J.

GeM Bid Document No.: dated.....

(To be submitted on the letter head of the bidder)

DECLARATION

We do hereby declare that,

1. We have not been blacklisted/ debarred by BNPMIPL/BRBNMPL/SPMCIL or any Govt. Departments for participation in tenders. The information provided above is correct and true to the best of my knowledge and belief.
2. We do hereby declare that we have read and understood all terms and conditions of tender document including Technical Specification, Quality Control Criteria and Buyer added ATC and confirm to abide to those conditions without any counter conditions.
3. "We are accepting all the terms and conditions of this GeM Tender document unconditionally without any deviations"
4. We do accept all the terms and conditions of GIT & GCC link given in buyer added bid specific ATC without any deviation.

Signature

Name

Designation

Date

Stamp of the Organization

Annexure-III

IMPORTANT

Before submission of Tender, please submit the following documents in your company letter head duly sealed & signed.

We have submitted following documents:

1. Entire GeM Bid document duly sealed & signed every page (including Annexure I to Annexure III duly filled sealed and signed).
2. Documentary evidence towards PAN & GST Registration Certificate duly sealed and signed.
3. Documentary/undertaking against Make in India Status i.e: being a Class I/Class II Supplier with details of Percentage
4. The firms participating as MSE/NSIC/DIC/Start-up India Campaign need to enclose certificates containing validity.
5. If participating as MSME, then please mention Category of MSME Firm: SC/ST/GEN. Owner of the company Male/Female.
6. We have quoted price only in Price Bid and not in Techno-commercial Bid on any other place.

Note:

The above document must be enclosed otherwise tender will be rejected.

Price Schedule

Schedule 1: Cylindrical Woollen Felt Bob, L-75mm & D-32mm (details as per Technical Specification)

Quantity: 50 Number

Basic Price/ 1 Number:

Other Charges (If any):

GST/ 1 Number:

HSN Code:

Total Price including all for 50 Number on FOR, IGM, Kolkata basis at India Government Mint, Kolkata:

Total Price including all for 50 Number on FOR, IGM, Kolkata basis at India Government Mint, Kolkata in words:

Schedule 2: Cylindrical Woollen Felt Bob, L- 50mm & D- 30mm (details as per Technical Specification)

Quantity: 200 Number

Basic Price/ 1 Number:

Other Charges (If any):

GST/ 1 Number:

HSN Code:

Total Price including all for 200 Number on FOR, IGM, Kolkata basis at India Government Mint, Kolkata:

Total Price including all for 200 Number on FOR, IGM, Kolkata basis at India Government Mint, Kolkata in words:

Schedule 3: Cylindrical Woollen Felt Bob with Stainless Steel Rod, L- 35mm & D- 8 to 20mm (details as per Technical Specification)

Quantity: 30 Number

Basic Price/ 1 Number:

Other Charges (If any):

GST/ 1 Number:

HSN Code:

Total Price including all for 30 Number on FOR, IGM, Kolkata basis at India Government Mint, Kolkata:

Total Price including all for 30 Number on FOR, IGM, Kolkata basis at India Government Mint, Kolkata in words:

Grand total price for Schedule 1 to Schedule 3:

Grand total price for Schedule 1 to Schedule 3 in words:

Abbreviation "FOR" Free on Rail (i.e: Landed cost to the India Govt. Mint, Kolkata inclusive of all taxes & duties), "IGM" India Govt. Mint.

NOTE :

1. L1 firm will be declared from valid offers only those who submitted offer as per specification & as per all terms & condition of the tender. If there is any deviation in specification & if the offer is not found as per terms & condition of the tender, their offer will be treated as invalid/unresponsive offer.

2. Price to be mentioned only in price bid not in Techno commercial bid or any other place. If it is mentioned any other part other than price bid, the offer will be rejected.